



Boîtier fin de course antidéflagrant

DESCRIPTION

Boîtier de contrôle de position équipé de 2 interrupteurs mécaniques pour actionneur 1/4 tour.

CERTIFICATION

-Directive 94/9/CE : BAS 01 ATEX 2132X
-Marquage : Ⓔ II 2 GD EEx d IIC T6

BOÎTIER

-Matière : Fonte d'aluminium, peinture epoxy
-Dimension : 123 x 105 x 118mm
-Poids : 1,3 kg avec support
-Indice de protection : IP 67
-Température de service : $-20^{\circ}\text{C} \leq T_{\text{amb}} \leq +55^{\circ}\text{C}$
-Indicateur de position : Index sous le boîtier
-Fixation :
-Accouplement : Axe NAMUR et support spécifique en INOX 304

DÉTECTION

-Interrupteur : V3
-Tension : Selon l'interrupteur
-Fonction : SPDT
-Commutation : Par came réglable

RACCORDEMENT ÉLECTRIQUE

Bornier à vis
2 entrées M20x1,5, 1 bouchon

OPTIONS *(nous consulter)*

-Presse étoupe laiton nickelé armé ou non, INOX, ...
-Kit d'adaptation pour vanne manuelle



Explosion-proof limit switch box

DESCRIPTION

Limit switch box equipped by 2 microswitches for quarter-turn valves.

CERTIFICATION

-Directive 94/9/CE : BAS 01 ATEX 2132X
-Marking : Ⓔ II 2 GD EEx d IIC T6

BOX

-Materials : Cast aluminium, epoxy coating
-Size : 123 x 105 x 118mm
-Weight : 1,3 kg with bracket
-Protection : IP 67
-Temperature of service : $-20^{\circ}\text{C} \leq T_{\text{amb}} \leq +55^{\circ}\text{C}$
-Position indicator : under the box
-Mounting :
-Bracket : Shaft NAMUR and specific bracket stainless steel 304

DETECTION

-Microswitch : V3
-Voltage : Depends on the microswitch
-Function : SPDT
-Commutation : By adjustable cams

ELECTRICAL CONNECTION

Terminal screw
2 entries M20x1,5, 1 plug

OPTION *(us to consult)*

-Cable gland in other material
-Mounting bracket for manual valve

EEx d IIC T6

-20°C ≤ T amb ≤ +55°C

Interrupteur	Qté	Marque	Caractéristiques	Code	Remarque
V3	2		250V AC 5A SPDT	LEF 510-HDX/GR. (2xV3) 2E	

Pour toute commande merci de préciser le type de support VDI-VDE 3845

For any order, please specify the type of bracket VDI-VDE 3845



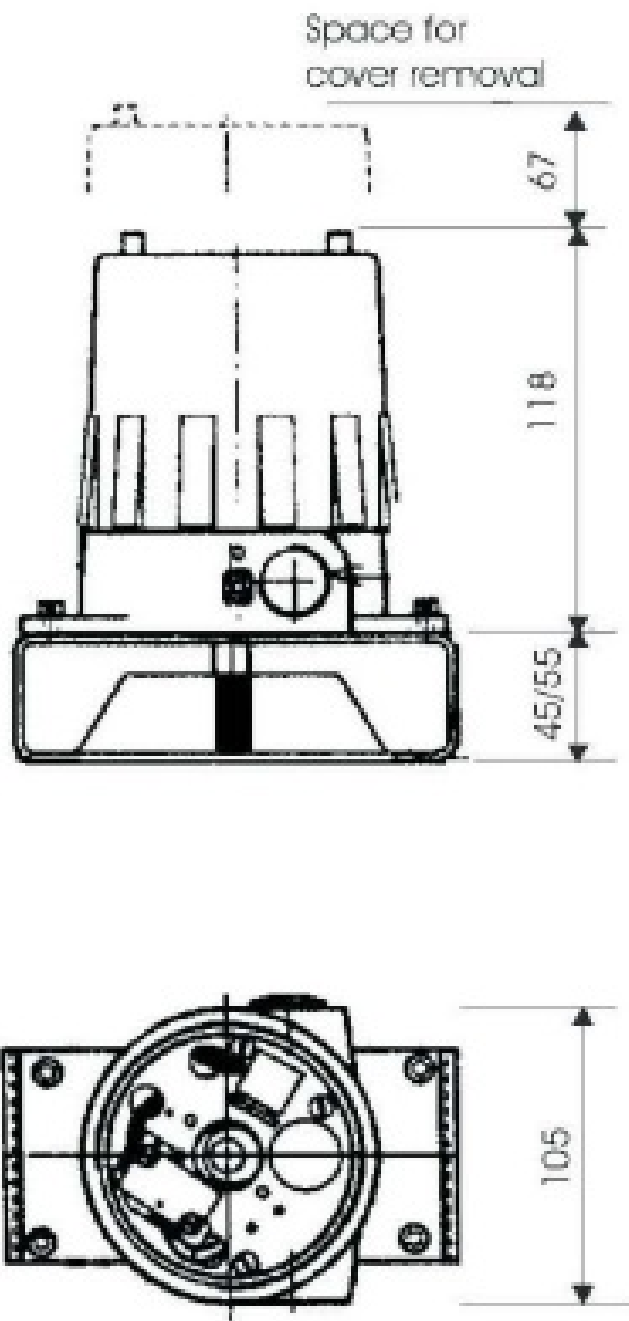
GR1	80x30	h : 20
GR2	80x30	h : 30
GR3	130x30	h : 30
GR4	130x30	h : 50

Nous consulter pour tout autre interrupteur ou détecteur

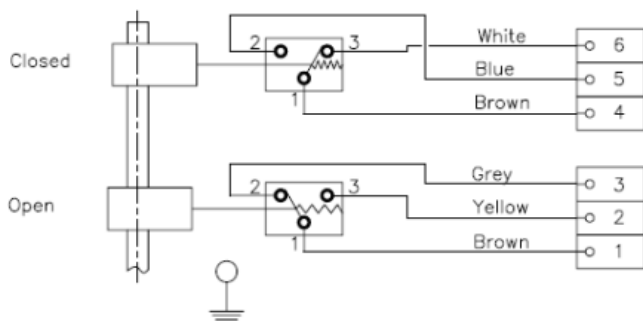
Consult us for any other microswitch or sensor

 Produit en stock

 Product in stock



Raccordement interrupteurs SPDT



Certificate Number
BAS01ATEX2132X/1



Issued 4 August 2003
Page 1 of 2

1 SUPPLEMENTARY EC - TYPE EXAMINATION CERTIFICATE

**2 Equipment or Protective System Intended for use in Potentially Explosive Atmospheres
Directive 94/9/EC**

- 3** Supplementary EC - Type Examination Certificate Number: **BAS01ATEX2132X/1**
- 4** Equipment or Protective System: **HDX Series Switch Box**
- 5** Manufacturer: **EL-O-MATIC B.V.**
- 6** Address: **Asveldweg 19 PO Box 223, 7550 AE Hengelo, Holland**
- 7** This supplementary certificate extends EC - Type Examination Certificate No. **BAS01ATEX2132X** to apply to equipment or protective systems designed and constructed in accordance with the specification set out in the Schedule of the said certificate but having any variations specified in the Schedule attached to this certificate and the documents therein referred to.

This supplementary certificate shall be held with the original certificate.

The original certificate was issued by The Electrical Equipment Certification Service, Notified Body Number 0600, which retains responsibility for its original documentation. Baseefa (2001) Ltd., Notified Body Number 1180, is responsible only for the additional work relating to this supplementary certificate and any other supplementary certificate it has issued.

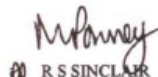
This certificate may only be reproduced in its entirety, without any change, schedule included.

Baseefa (2001) Ltd. Customer Reference No. 1399

Project File No. 03/0320

This certificate is granted subject to the general terms and conditions of Baseefa (2001) Ltd. It does not necessarily indicate that the equipment may be used in particular industries or circumstances.

Baseefa (2001) Ltd.
Health and Safety Laboratory Site, Harpur Hill,
Buxton, Derbyshire SK17 9JN
Telephone +44 (0) 1298 28255 Fax +44 (0) 1298 28216
e-mail info@baseefa2001.biz web site www.baseefa2001.biz
Registered in England No. 4305578 at 13 Dovedale Crescent, Buxton,
Derbyshire, SK17 9BJ


R S SINCLAIR
DIRECTOR
On behalf of
Baseefa (2001) Ltd.

13 Schedule
14 Certificate Number BAS01ATEX2132X/1

15 Description of the variation to the Equipment or Protective System

Variation 1.1

The equipment has been assessed as complying with EN 50281-1-1: 1998 and therefore may be used within an explosive dust atmosphere.

The equipment is re-coded.

Ex II 2 G D EEx d IIC T6 T_{amb} = -20°C to +55°C

16 Report Number
None

17 Special Conditions for Safe Use
None additional to those listed previously

18 Essential Health and Safety Requirements
Compliance with the Essential Health and Safety Requirements is not affected by this variation.

19 Drawings and Documents

Number	Issue	Date	Description
341.77.030	G	02.07.03	Certification Label - HDX Series Switch Box