

DESCRIPTION

Boîtier de contrôle de position équipé de 2 détecteurs inductifs pour actionneur 1/4 tour.
Carte ASi incorporée.

CERTIFICATION

- Marquage : **CE**

BOÎTIER

- Matière : Aluminium moulé, peinture epoxy
- Dimension : 145 x 90 x 90 mm
- Poids : 1.2 Kg avec support
- Indice de Protection : IP 65
- Température de service : $-20^{\circ}\text{C} \leq T_{\text{amb}} \leq +60^{\circ}\text{C}$
- Indicateur de position : Index sur le boîtier
- Fixation : ISO F05
- Accouplement : Axe NAMUR et support VDI/VDE 3845 en INOX 304

DETECTION

- Détecteur : PEPPERL & FUCHS, IFM, ...
- Tension : Selon le détecteur
- Fonction : NO, PNP
- Commutation : Par came réglable ou par drapeau

RACCORDEMENT ELECTRIQUE

- 1 entrée M20x1,5 type "vampire" AS-interface

OPTIONS (nous consulter)

- Respirateur GORTEX® (IP65)



DESCRIPTION

Limit switchbox with 2 inductive sensors. Rotary position indicator for valves and actuators.
Built in AS-interface module.

CERTIFICATION

- Marking : **CE**

BOX

- Material : Cast aluminium, epoxy paint
- Size : 145 x 90 x 90 mm
- Weight : 1.2 kg with bracket
- Protection : IP 65
- Temperature of service : $-20^{\circ}\text{C} \leq T_{\text{amb}} \leq +60^{\circ}\text{C}$
- Position indicator : On the top
- Mounting : ISO F05
- Bracket : NAMUR shaft and bracket stainless steel compliant VDI/VDE 3845

DETECTION

- Sensor : PEPPERL & FUCHS, IFM, ...
- Voltage : Depends on sensor
- Function : NO, PNP
- Switching : By adjustable cams or flag

ELECTRICAL CONNECTION

- 1 screw adapter M20x1.5 for AS-interface flat cable

OPTIONS (consult us)

- Adjustable flow limiter

Caractéristiques	Code	Remarque

Document non contractuel / Not contractual document

Pour toute commande merci de préciser le type de support VDI-VDE 3845


For any order, please specify the type of bracket VDI-VDE 3845




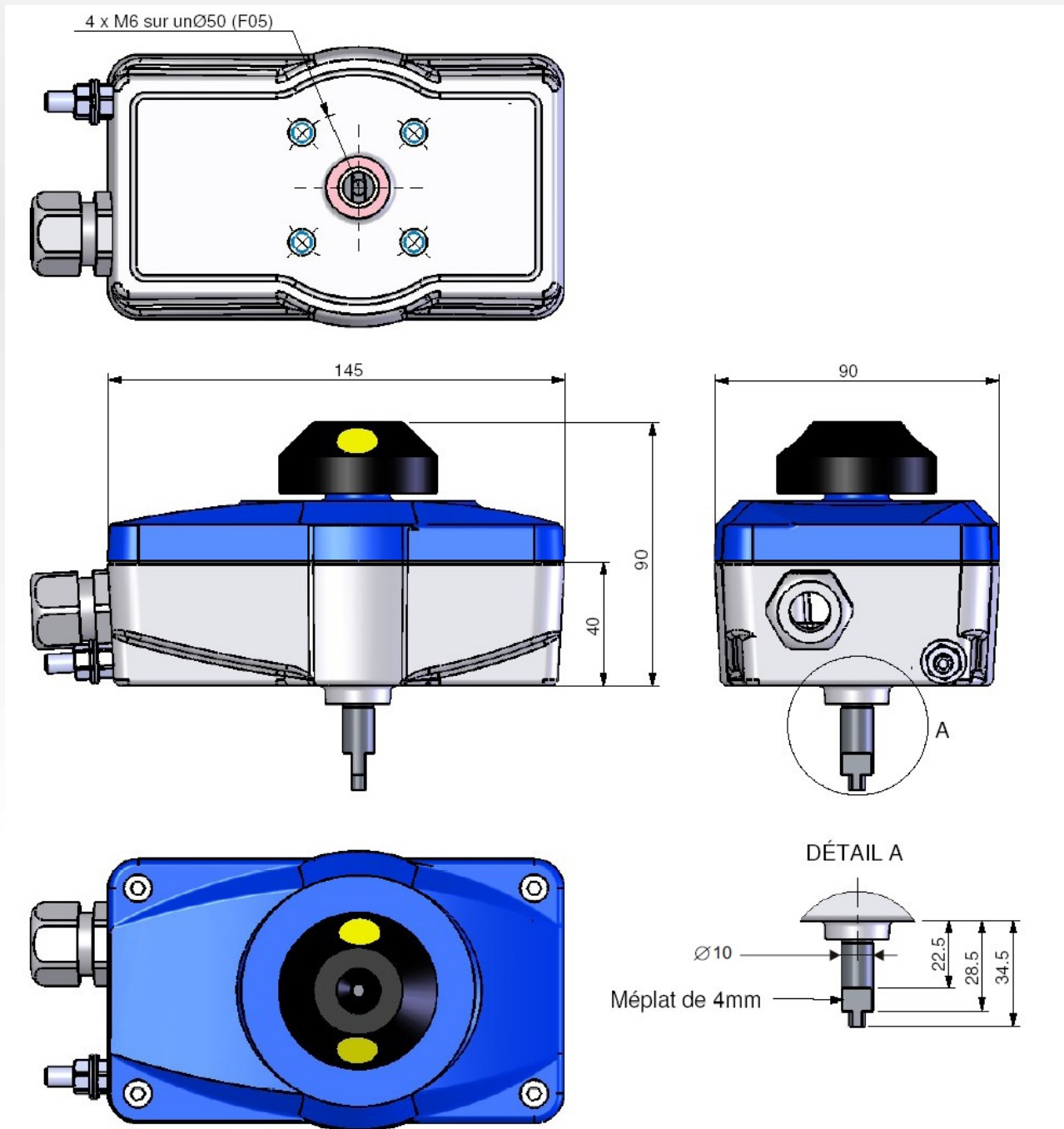
GR1	80x30	h : 20
GR2	80x30	h : 30
GR3	130x30	h : 30
GR4	130x30	h : 50

Nous consulter pour tout autre interrupteur

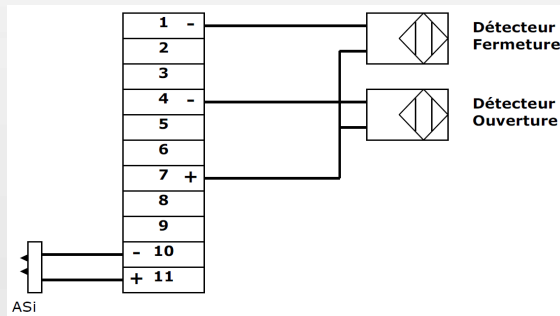
Consult us for any other microswitch

 Produit en stock

 Product in stock



Raccordement



AS-i 2I/2O-AB Module



Automatisierungstechnik

AS-i 2I/2O-AB Module

AS-i Specification 2.1
AB Slave (up to 62 slaves)

Additional 2 holes
for



Art. no. 1421/1490



with screw terminals



with wiring pins



Article no. BW1421

Article no. BW1443 with screw terminals

Article no. BW1957 without galvanical separation, screw terminal only on AS-i pins

Article no. BW1444 with wiring pins

Article no. BW1490 with Fault LED output

The AS-i 2I/2O-AB Module, which meets the requirements of the new AS-i Specification 2.1 is the board based solution for an AS-i slave. The board is completely powered by AS-i. The inputs and outputs are short circuit and overload protected.

If bus communication is interrupted (master failure), the outputs are switched to their currentless switching state by the watchdog. Using the inputs, you can interrogate up to 2 mechanical switching elements. Using the outputs, you can drive up to 2 indicator lights, with the power being drawn from the AS-i system.

Customer-specific special orders are possible on short notice. The circuit board dimensions and the plug connections can be changed as well.

The AS-i 2I/2O-AB Module offers additionally 2 holes for assembly angles.

Advanced addressing (AB-technology, up to 62 slaves) is possible.

Article no.	BW1421	BW1443	BW1957	BW1444	BW1490
Connection	-	Screw terminal	Screw terminal only on AS-i pins	Wiring pins	-
Connection	Circuit board installation				
Quiescent current (Input = 0, Output = 0)	≤ 20 mA				
Switching threshold of inputs	≤ 0,8 mA (low) ≥ 5 mA (high)				
U	20 ... 30 V DC				
Outputs	2, electronic				
Loading capacity	80 mA per output (sum of all outputs < 80 mA) 24 V DC				
Length of connector cables	I/O: max. 1,5 m				
Operating voltage	via AS-i				
Operating current	≤ 200 mA				
EMC directions	EN 61 000-6-2, EN 61 000-6-4				
Operating temperature	-25°C ... +70°C				
Storage temperature	-40°C ... +70°C				
Protection category (EN 60 529)	IP00 (soldering pins) IP20 (build in)				
Allowable shock and vibration stress	≤ 15 g, T ≤ 11 ms 10 ... 55 Hz, 0,5 mm amplitude				
Dimensions (L, W, H)	29,7 mm, 36,5 mm, 10 mm			27,7/36,5/10 mm	

Programming (Bit-setting)

Data bit
(Input via AS-i)
Bit Function
D0 Output A1
D1 Output A2
D2 Input E1
D3 Input E2

Parameter bit
Bit Function
P0 not used
P1 not used
P2 not used
P3 not used

Programming:
Address preset 0 changeable via bus master or programming devices

IO Code B
ID Code A
ID2 Code E

Art. no.: 1421/1443/1957/1444

Art. no.: 1490

Art. no.: 1421/1443/1957/1444

Art. no.: 1490

